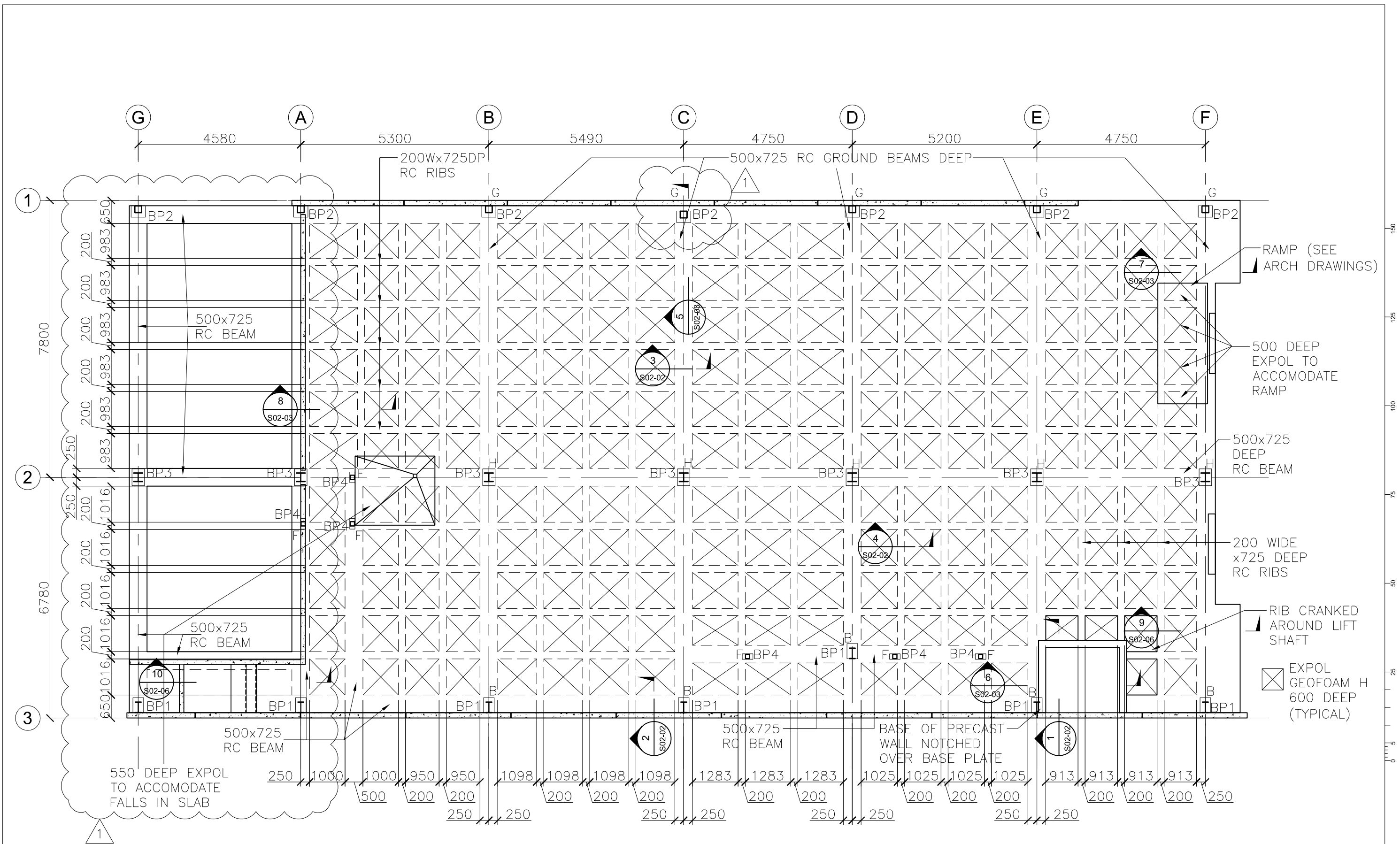


A. South East Perspective



## B. North East Perspective





RevID	Issue Name	Date	RevID	Issue Name	Date
0	CONSENT ISSUE	12 Aug 2016			
1	AMENDED CONSENT	09 Dec 2016			

**WALLACE DEVELOPMENT**  
Company Limited

**OMEGA**  
ENGINEERING CONSULTANTS LIMITED

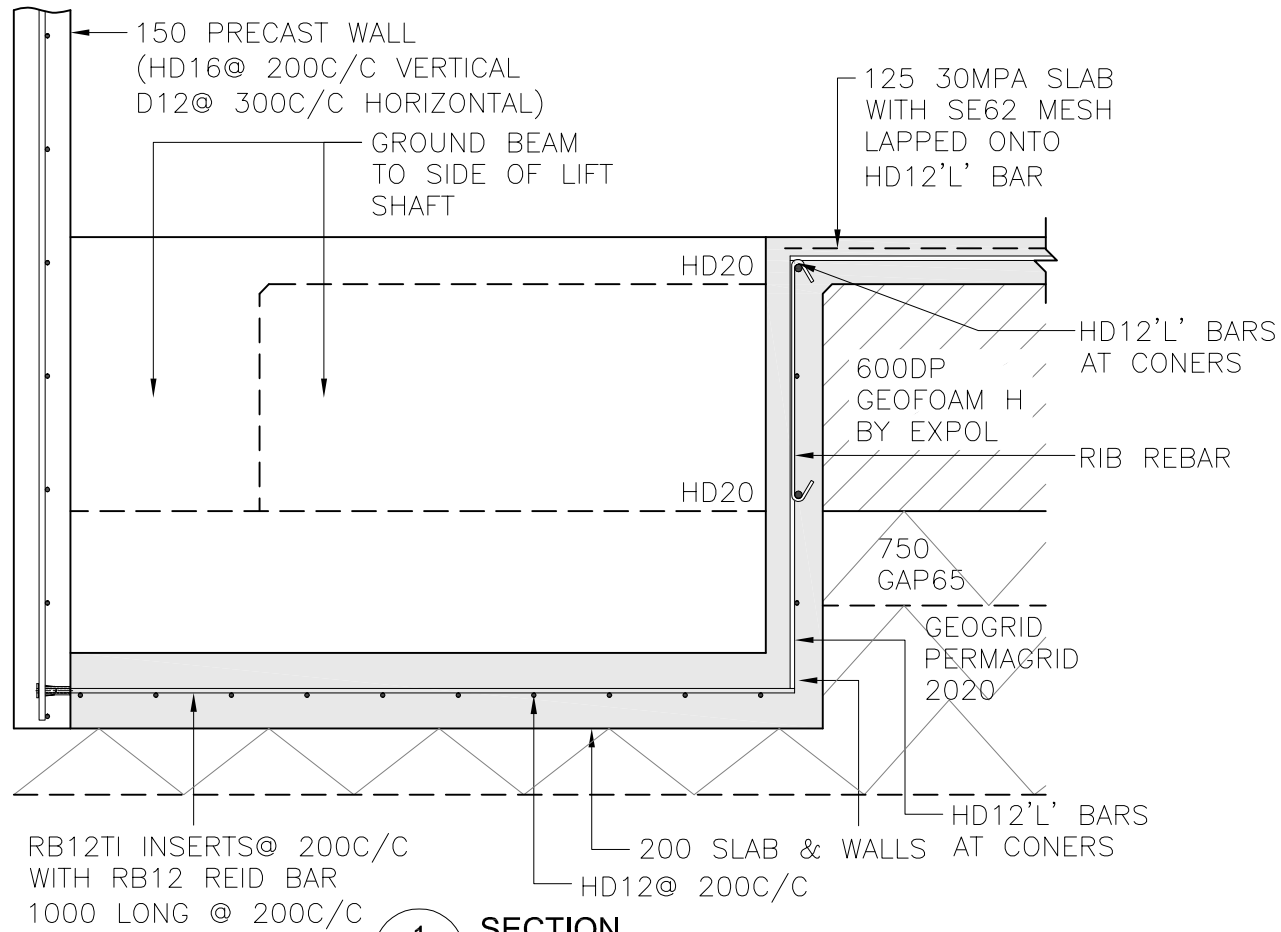
P.O. Box 1033  
243 Broadway Avenue  
Palmerston North 4410  
+64 6 356 6371 | +64 21 450 068  
stephen@omegaengineering.co.nz

project title	Development 5 Rathbone Street Whangarei
drawing title	Slab Plan

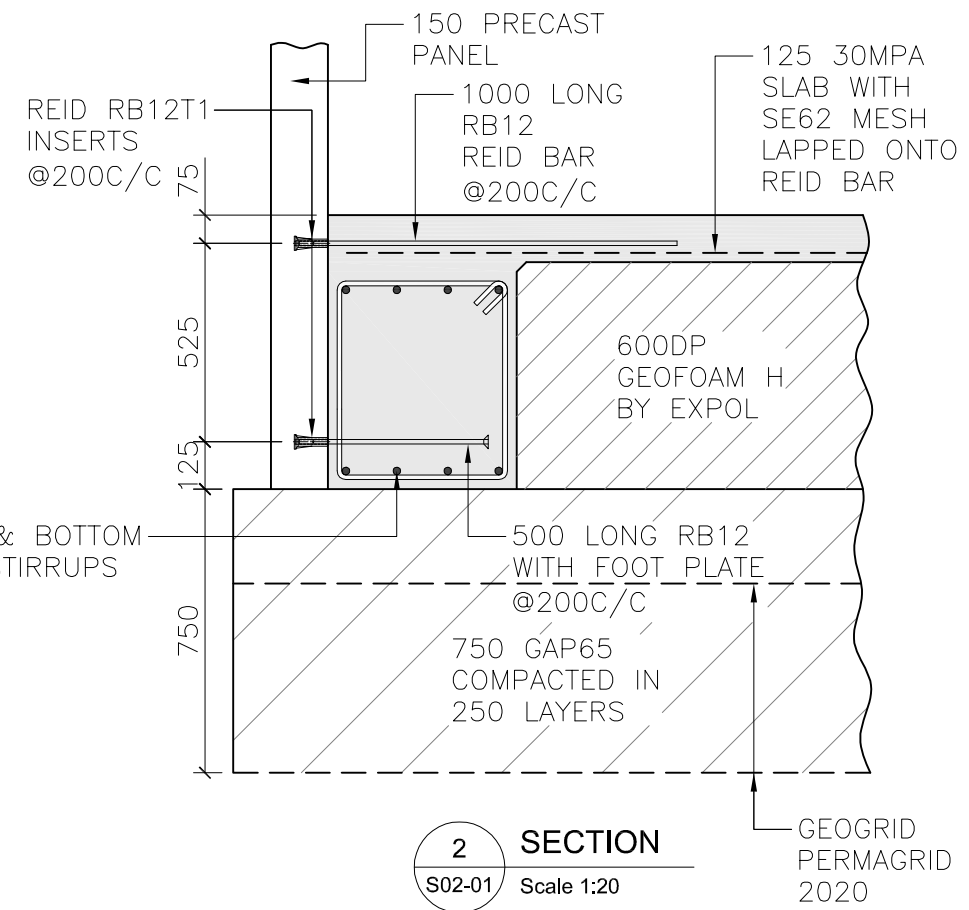
drawn	HD	project date	Aug 2016
scale	@ A1 1:100 @ A3	issue date	09 Dec 2016
ref	1044	sheet	S02-01 rev 1

© This drawing is copyright Omega Engineering Consultants Ltd

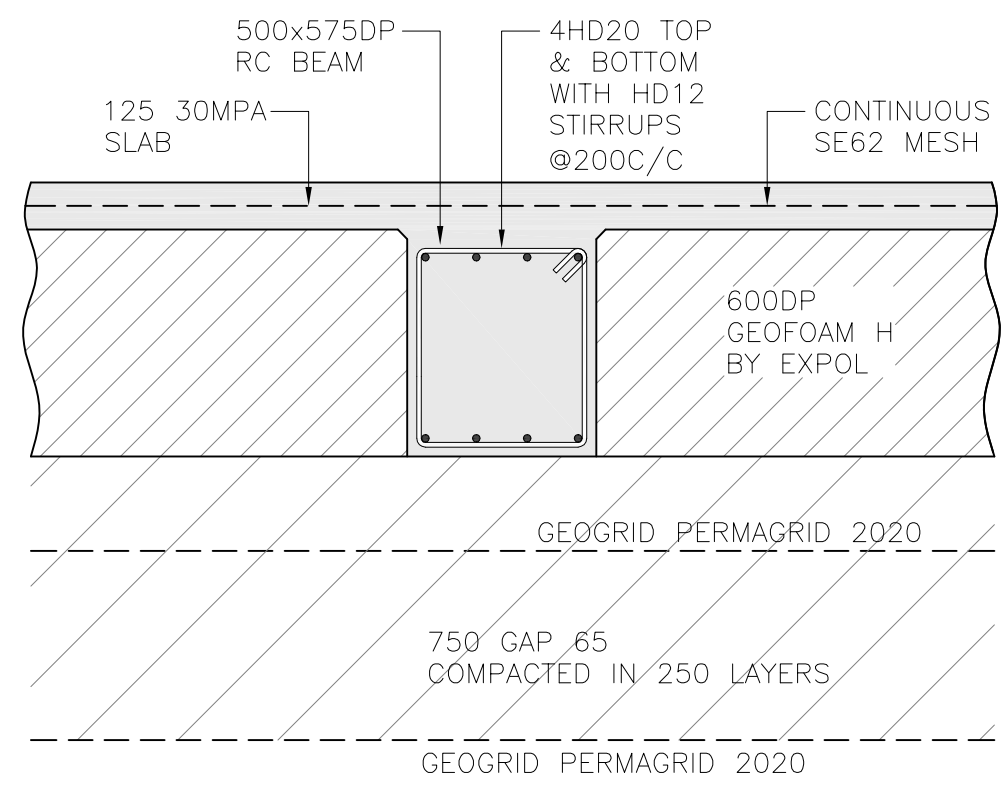




**1 SECTION**  
S02-01 Scale 1:20

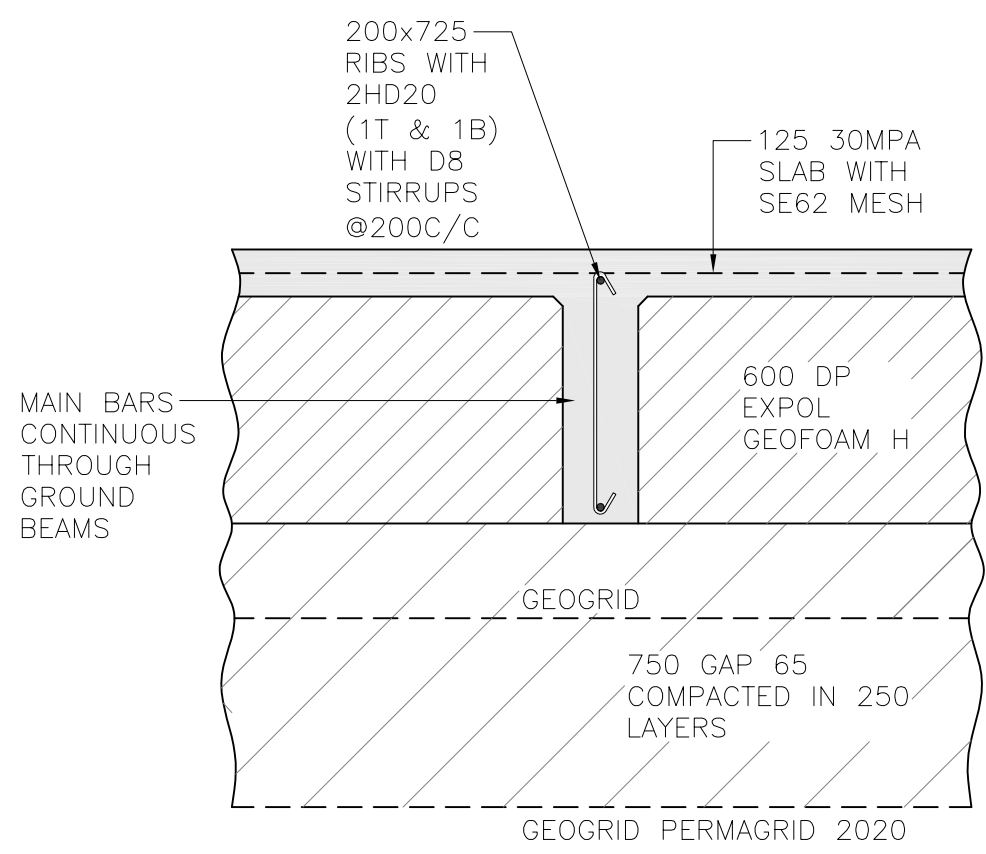


**2 SECTION**  
S02-01 Scale 1:20



**3 SECTION**  
S02-01 Scale 1:20

INT. GROUND BEAM



**4 SECTION**  
S02-01 Scale 1:20

RevID	Issue Name	Date	RevID	Issue Name	Date
0	CONSENT ISSUE	12 Aug 2016			

**WALLACE**  
DEVELOPMENT  
Company Limited

**OMEGA**  
ENGINEERING CONSULTANTS LIMITED

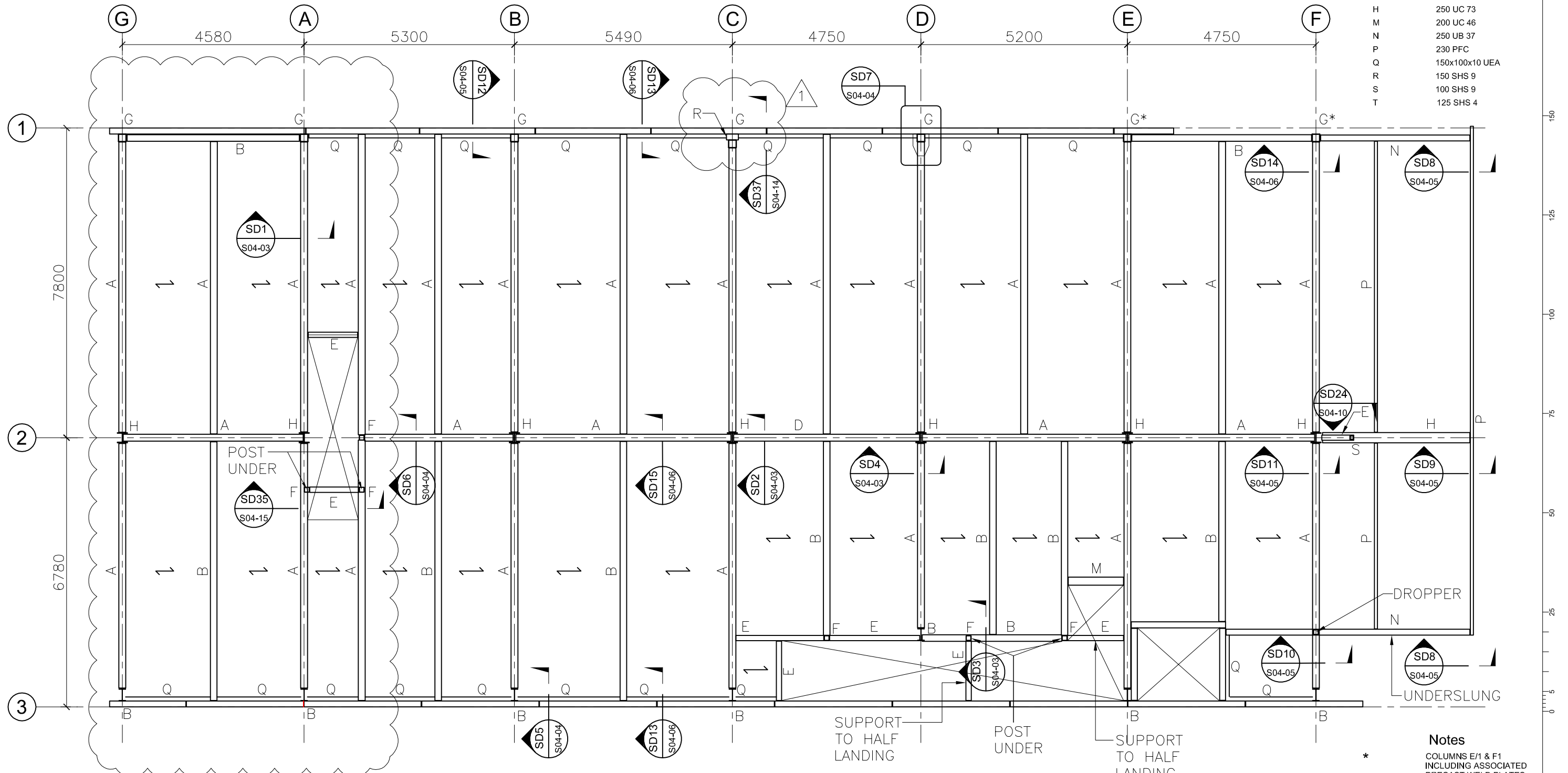
P O Box 1033  
243 Broadway Avenue  
Palmerston North 4410  
+64 6 356 6371 +64 21 450 068  
stephen@omega-engineering.co.nz

project title Development  
5 Rathbone Street  
Whangarei  
drawing title Foundation Details

drawn scale @ A1 @ A3  
ALL DIMENSIONS TO BE VERIFIED ON SITE  
ref 1044 sheet  
project date Aug 2016  
issue date 12 Aug 2016  
S02-02 rev 0

# Steel Members

A	360 UB 45
B	305 UB 40
C	254 UB 31
D	360 UB 51
E	200 UB 22
F	125 SHS 5
G	200 SHS 10
H	250 UC 73
M	200 UC 46
N	250 UB 37
P	230 PFC
Q	150x100x10 UEA
R	150 SHS 9
S	100 SHS 9
T	125 SHS 4



- Notes**
- \* COLUMNS E/1 & F1 INCLUDING ASSOCIATED PRECAST WELD PLATES ARE TO BE FIRE PROTECTED TO 120/120/120 FRR
  - Note 2 ALL STEELWORK UP TO AND INCLUDING THE FIRST FLOOR TO BE FIRE PROTECTED TO 60/60/60 FRR UNO

RevID	Issue Name	Date	RevID	Issue Name	Date
0	CONSENT ISSUE	12 Aug 2016			
1	AMENDED CONSENT	09 Dec 2016			

**WALLACE DEVELOPMENT**  
Company Limited

**OMEGA**  
ENGINEERING CONSULTANTS LIMITED

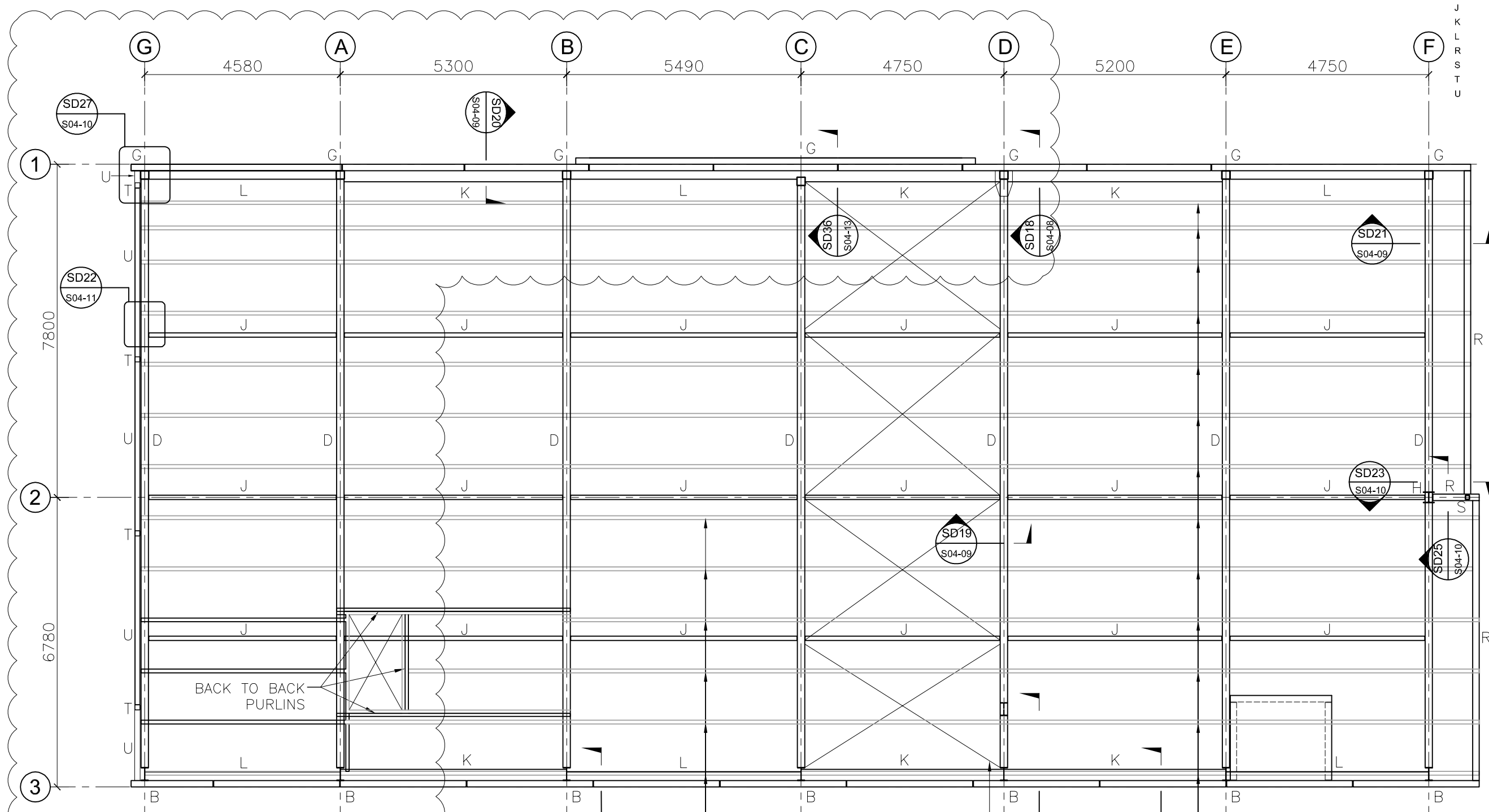
P.O. Box 1033  
243 Broadway Avenue  
Palmerston North 4410  
+64 6 356 6371 | +64 21 450 068  
stephen@omegaengineering.co.nz

project title Development  
5 Rathbone Street Whangarei  
drawing title First Floor Beam Layout

drawn	HD	project date	Aug 2016
scale	@ A1 1:100 @ A3	issue date	09 Dec 2016
ALL DIMENSIONS TO BE VERIFIED ON SITE		ref	1044
		sheet	<b>S04-01</b> rev 1

# Steel Members

B	305 UB 40
D	360 UB 51
H	250 UC 73
J	101.6x5 CHS
K	250 PFC
L	200 PFC
R	150 SHS9
S	100 SHS 9
T	125 SHS 4
U	125 PFC



PURLINS BETWEEN GL ② & ③ AND GL ① & ③ TO BE DHS200/15 (1200C/C MAX) WITH 1 FAST BRACE PER BAY

ALL PURLINS DHS200/12 (1200C/C MAX) WITH 1 FAST BRACE PER BAY UNO

RB16 REID BRACING

RevID	Issue Name	Date	RevID	Issue Name	Date
0	CONSENT ISSUE	12 Aug 2016			
1	AMENDED CONSENT	09 Dec 2016			

**WALLACE DEVELOPMENT**  
Company Limited

**OMEGA**  
ENGINEERING CONSULTANTS LIMITED  
P O Box 1033  
243 Broadway Avenue  
Palmerston North 4410  
+64 6 356 6371 | +64 21 450 068  
stephen@omegaengineering.co.nz

project title Development  
5 Rathbone Street  
Whangarei

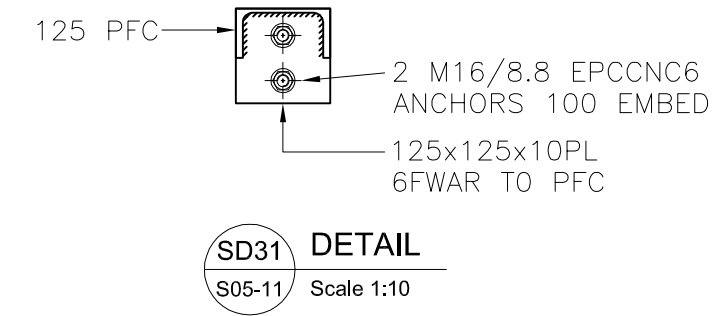
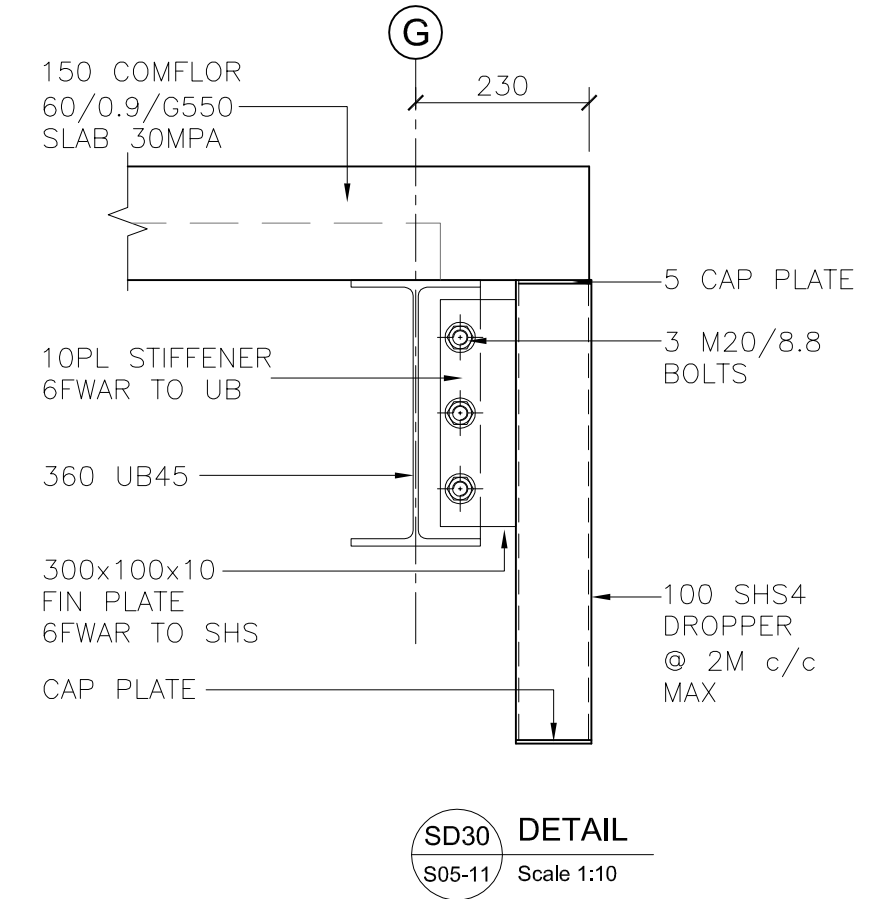
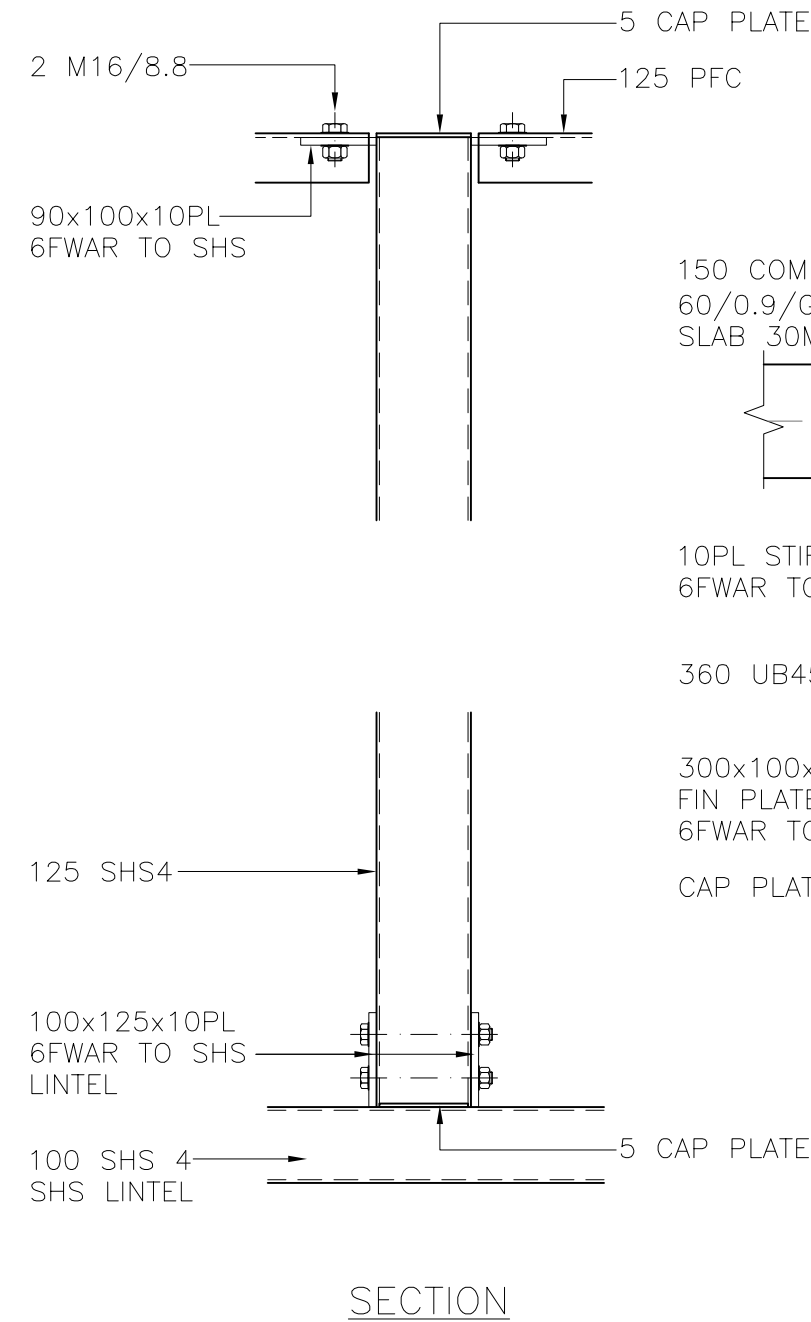
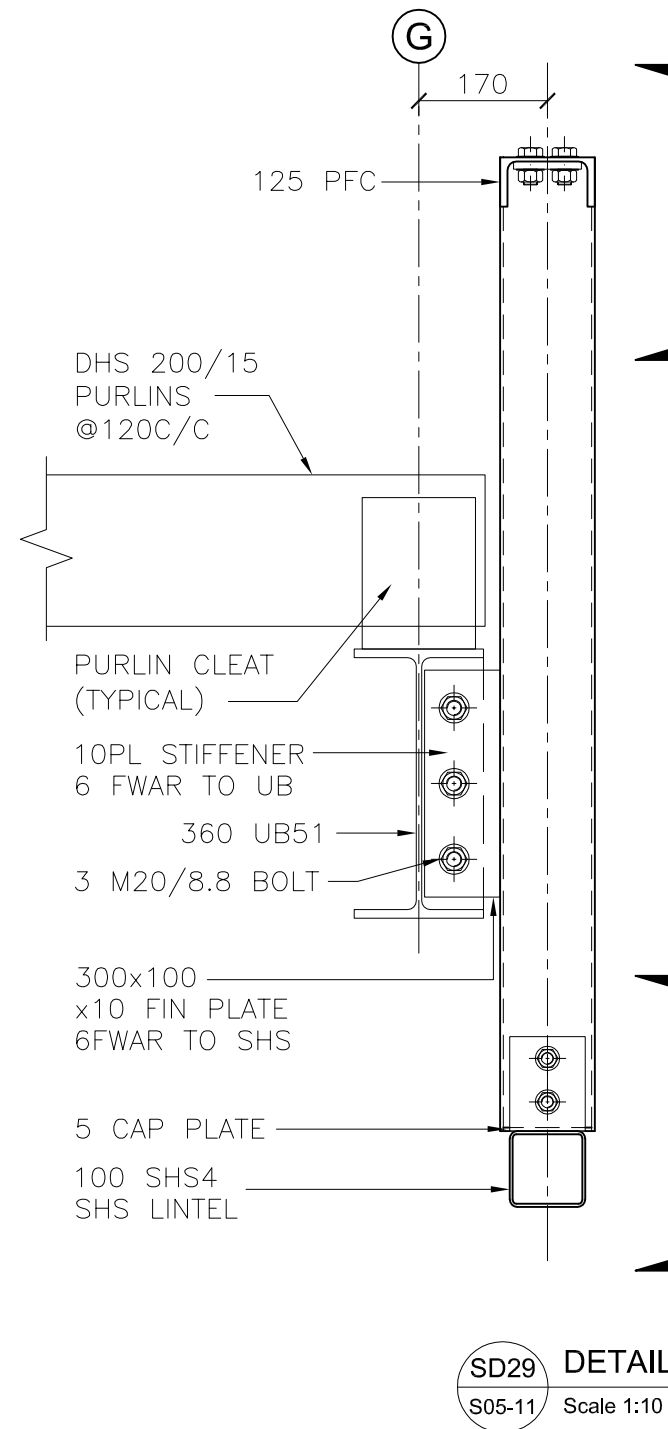
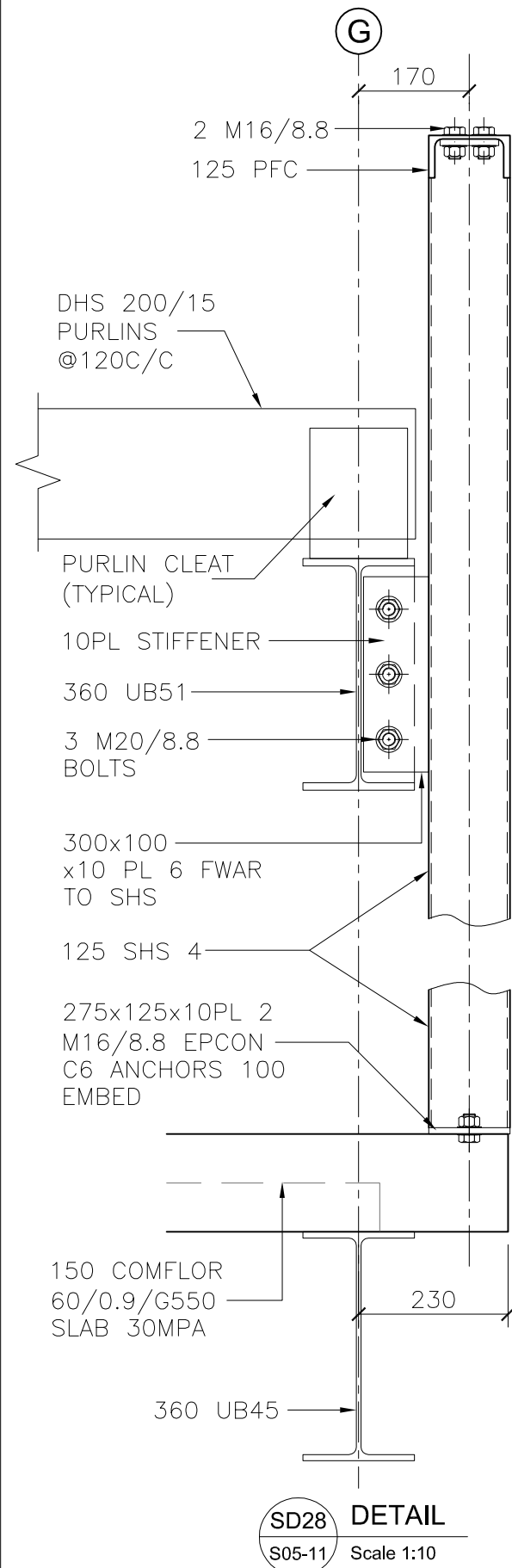
drawing title Structural steel Roof Plan

© This drawing is copyright Omega Engineering Consultants Ltd

drawn HD  
scale @ A1 1:100 @ A3  
ALL DIMENSIONS TO BE VERIFIED ON SITE

project date Aug 2016  
issue date 09 Dec 2016

ref 1044 sheet  
S04-02 rev 1



RevID	Issue Name	Date	RevID	Issue Name	Date
0	AMENDED CONSENT	09 Dec 2016			

**WALLACE DEVELOPMENT Company Limited**

**OMEGA ENGINEERING CONSULTANTS LIMITED**

P O Box 1033  
243 Broadway Avenue  
Palmerston North 4410  
+64 6 356 6371 M +64 21 450 068  
stephen@omegaengineering.co.nz

project title	Development 5 Rathbone Street Whangarei
drawing title	Details

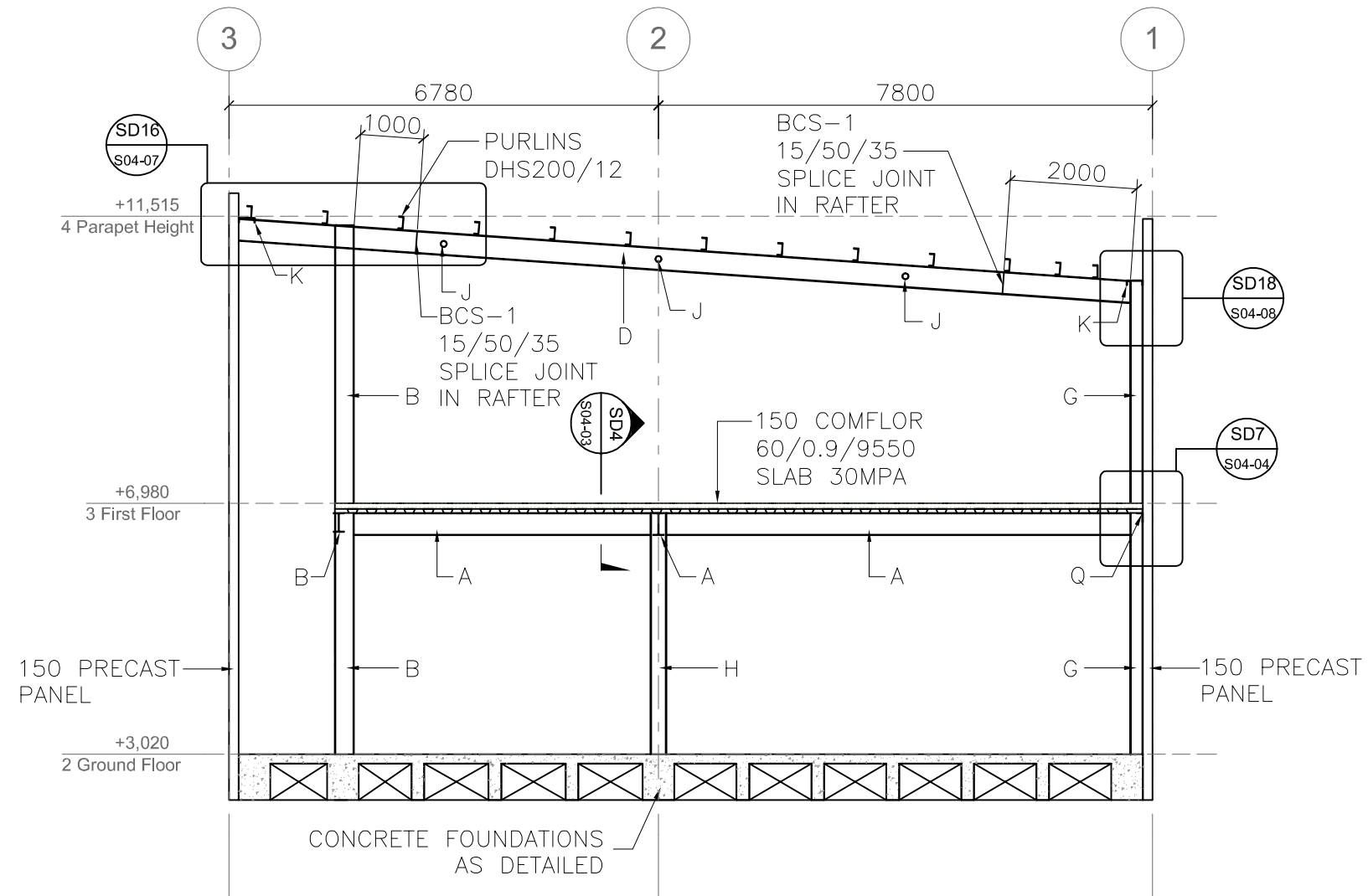
drawn	HD	project date	Aug 2016
scale	@ A1 @ A3	issue date	09 Dec 2016
ref	1044	sheet	<b>S04-12</b> rev 0

© This drawing is copyright Omega Engineering Consultants Ltd

# Steel Members

A	360 UB 45
B	305 UB 40
C	254 UB 31
D	360 UB 51
E	200 UB 22
F	125 SHS 5
G	200 SHS 10
H	250 UC 73
J	101.6x5 CHS
K	250 PFC
L	200 PFC
M	200 UB 46
N	250 UB 37
P	230 PFC
Q	150x100x10 UEA
R	150 SHS 9
S	100 SHS 9

Note 1  
**BEAMS**  
 ALL FLOOR BEAMS ARE COMPOSITE WITH 19mm DIA STUDS 95 AWH AT 300mm CRS UNLESS NOTED OTHERWISE



© This drawing is copyright Omega Engineering Consultants Ltd

RevID	Issue Name	Date	RevID	Issue Name	Date
0	CONSENT ISSUE	12 Aug 2016			

**WALLACE**  
 DEVELOPMENT  
 Company Limited

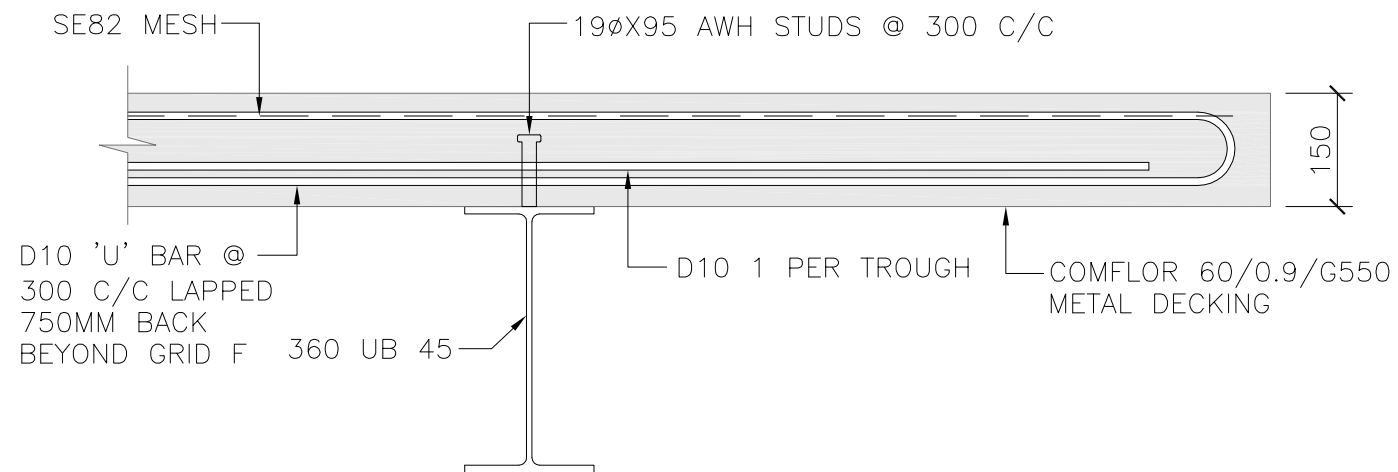
**OMEGA**  
 ENGINEERING CONSULTANTS LIMITED

P O Box 1033  
 243 Broadway Avenue  
 Palmerston North 4410  
 P +64 6 356 6371 M +64 21 450 068  
 E stephen@omegaengineering.co.nz

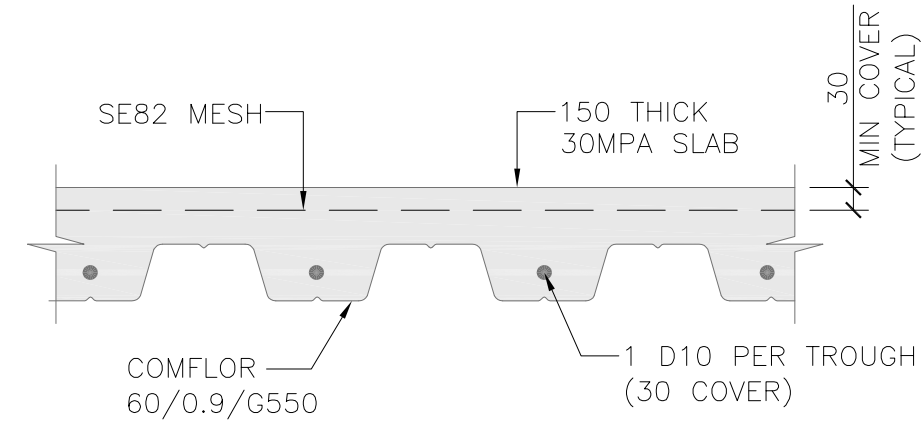
project title	Development 5 Rathbone Street Whangarei
drawing title	Elevation Grid Line D

drawn	HD	project date	Aug 2016
scale	1:50 @ A1 1:100 @ A3	issue date	12 Aug 2016
ref	1044	sheet	<b>S05-07</b>
		rev	0

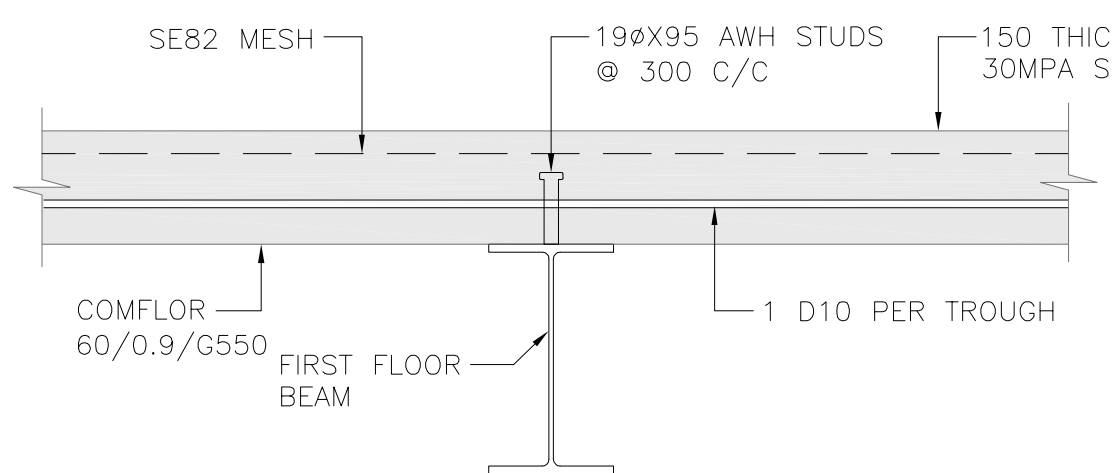




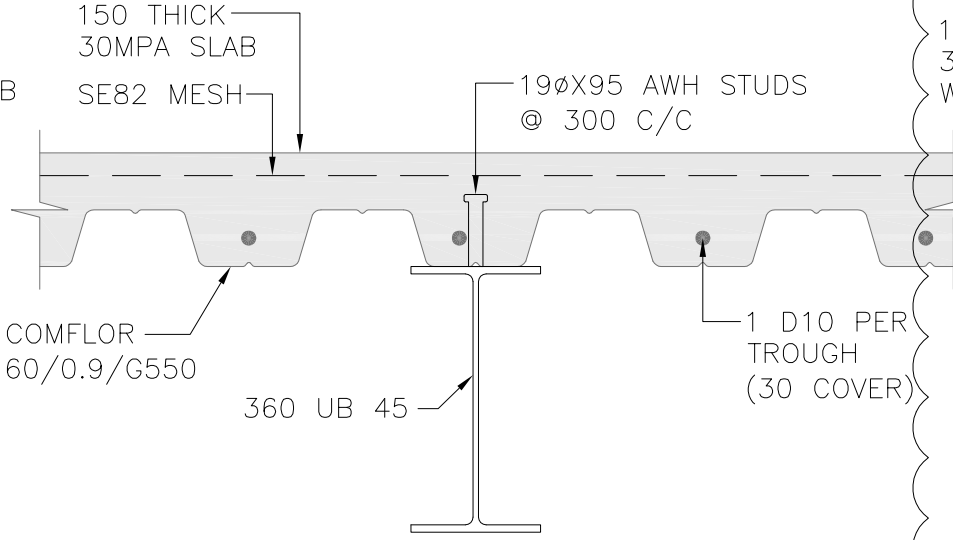
**FF1 DETAIL**  
S07-01 Scale 1:10



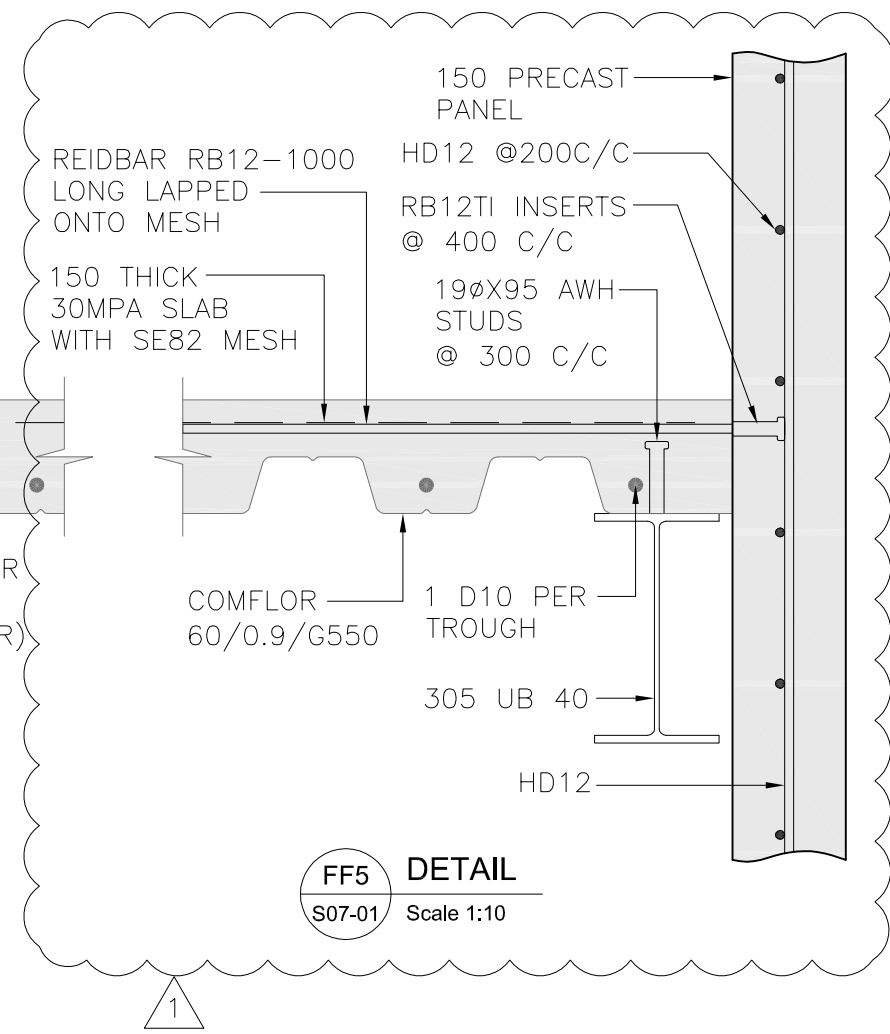
**FF2 DETAIL**  
S07-01 Scale 1:10



**FF3 DETAIL**  
S07-01 Scale 1:10



**FF4 DETAIL**  
S07-01 Scale 1:10



**FF5 DETAIL**  
S07-01 Scale 1:10

ReVID	Issue Name	Date	ReVID	Issue Name	Date
0	CONSENT ISSUE	12 Aug 2016			
1	AMENDED CONSENT	09 Dec 2016			

**WALLACE**  
DEVELOPMENT  
Company Limited

**OMEGA**  
ENGINEERING CONSULTANTS LIMITED

P O Box 1033  
243 Broadway Avenue  
Palmerston North 4410  
P +64 6 356 6371 M +64 21 450 068  
E stephen@omegaengineering.co.nz

project title Development  
5 Rathbone Street  
Whangarei  
drawing title First Floor Slab Reinforcement Details

drawn scale @ A1 @ A3  
ALL DIMENSIONS TO BE VERIFIED ON SITE  
ref 1044 sheet  
project date Aug 2016  
issue date 09 Dec 2016  
S07-02 rev 1